

Dewatering Press

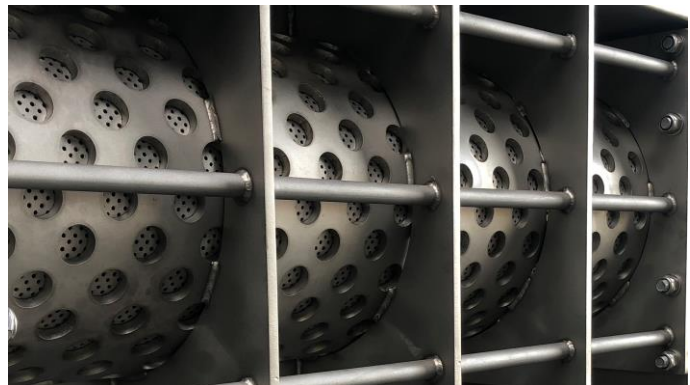


Function:

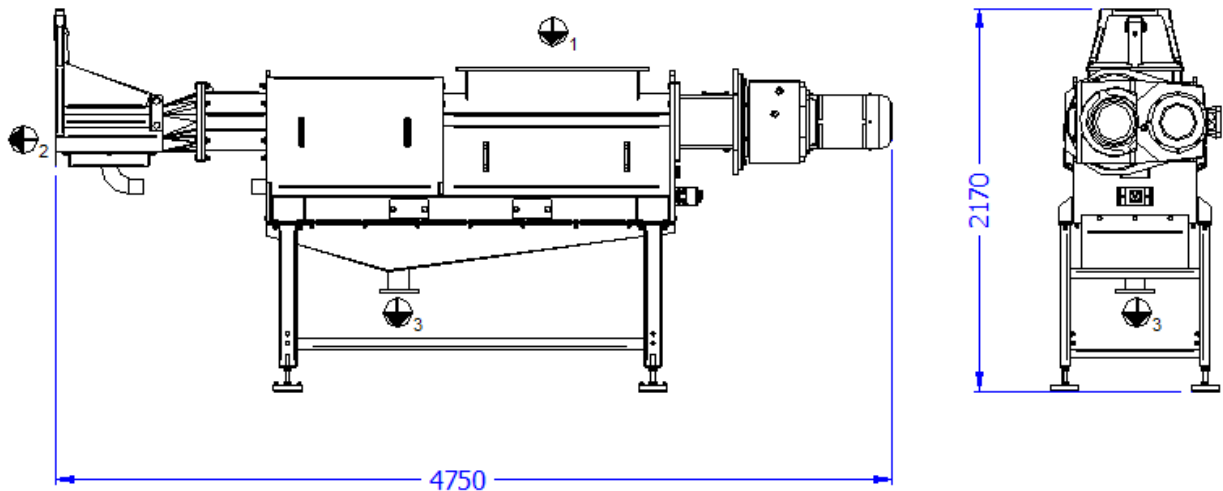
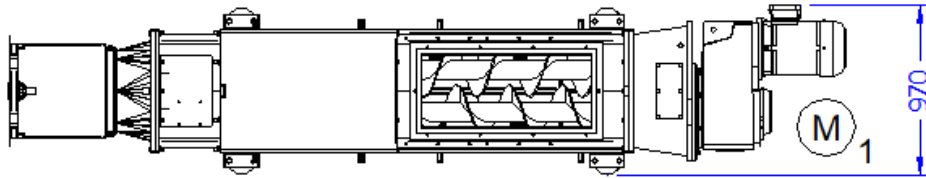
The dewatering press is specially designed for decreasing the moisture content in packaged material to reduce volume and weight.

Features:

- Mechanical dewatering techniques combining continuous transport, compression and discharging
- Double screw press
- Hydraulic unit
- Combined pressate discharge
- Heavy duty, stainless steel execution



Dewatering Press



Power	Weight	Length	Width	Height
kW	kg	mm	mm	mm
11	2190	4750	970	2170

Due to ongoing product improvements, data shown here is subject to change without notice.
Contact Mavitec B.V. for latest specifications.



Galleistraat 32, 1704 SE Heerhugowaard, The Netherlands
Tel.: +31-72-574 59 88 - Fax: +31-72-574 55 48 - E-mail: info@mavitec.com - www.mavitecgreenenergy.com

